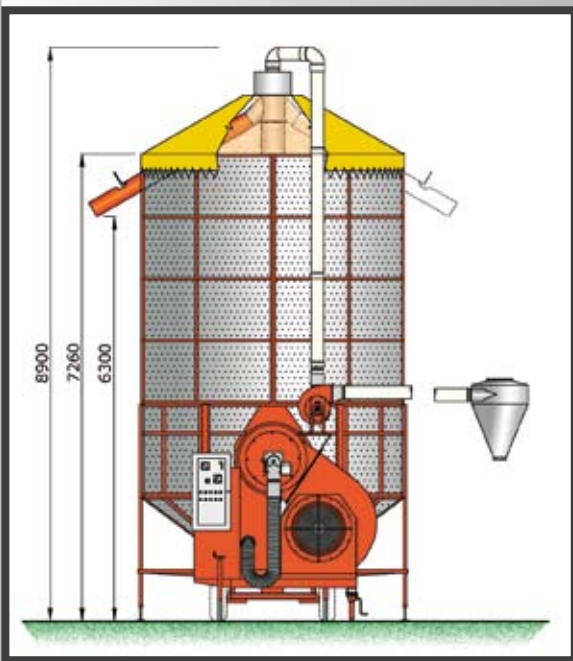


# XL 400



## TECHNICAL DATA

### Batch capacity

Tons wet maize 40 (57 m<sup>3</sup>)

### AVERAGE DAILY OUTPUT 24h in tons

Maize from 28% to 14% 170  
 Wheat/Barley from 20% to 15% 240  
 Oil seed rape from 14% to 9% 230

### POWER REQUIRED

Model Pto drive - Tractor min. size of HP 120  
 or single electric drive motor 75 kW (100 HP)

Model electric drive - Mains supply line of kW 70

Size main electric motors	(kW)	(HP)
- fan	37.5	50
- central auger Ø 350	30	40
- central auger Ø 450*	37.5	50
- filling auger	11	15
- dust extractor	2.2	3
- burner	2.2	3

\* as option

### FAN

Design centrifugal  
 Revs/Min. 1.450  
 Air flow m<sup>3</sup>/h max\* 75.000

\* The air flow volume refers to the fan as separate unit.

### BURNER

Diesel, Automatic twin stage (Gas as option)  
 Caloric power Kcal/h max. 1.300.000

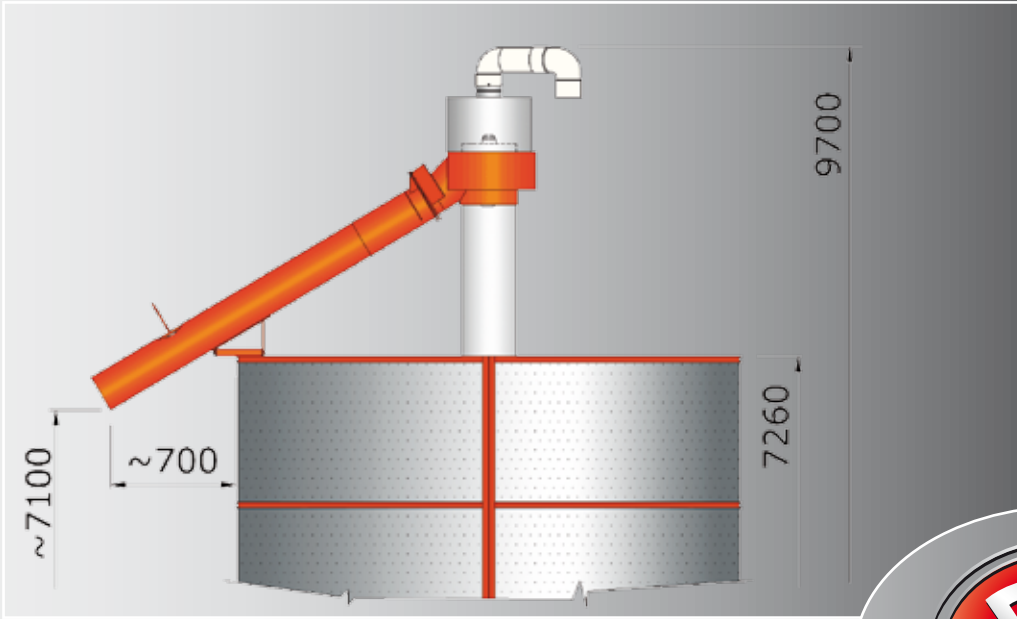
Centre Auger Ø 350 mm, capacity tons/h 65  
 Centre Auger Ø 450 mm, capacity tons/h 120  
 Filling Auger Ø 250 mm, capacity tons/h 90

### FUEL CONSUMPTION

Liters per ton of maize from 28% to 14% approx 15  
 Kcal per liter of water evaporated approx 900

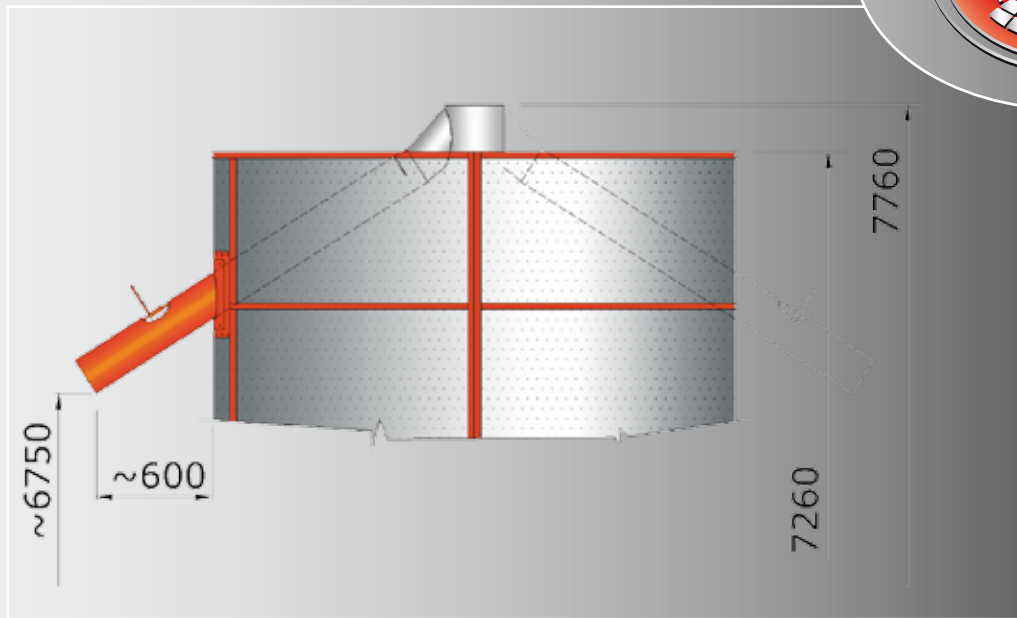
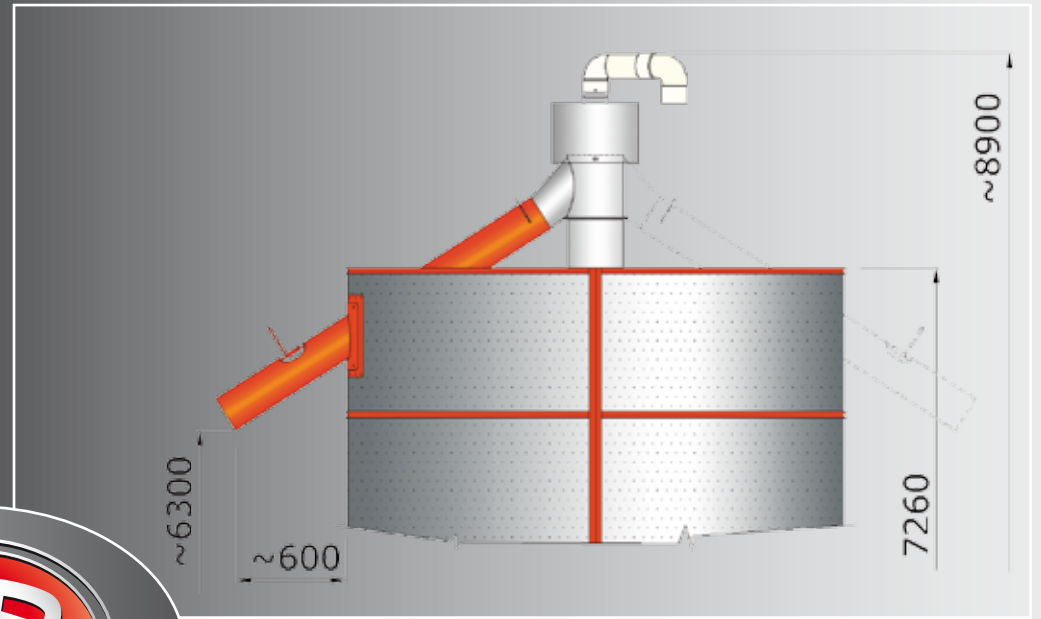
N.B: All performance figures are largely depending of the ambient temperature, relative air humidity, maturity and cleanliness of crops to be dried

**A** Option with dust extractor  
Single roll discharging chute working in two positions

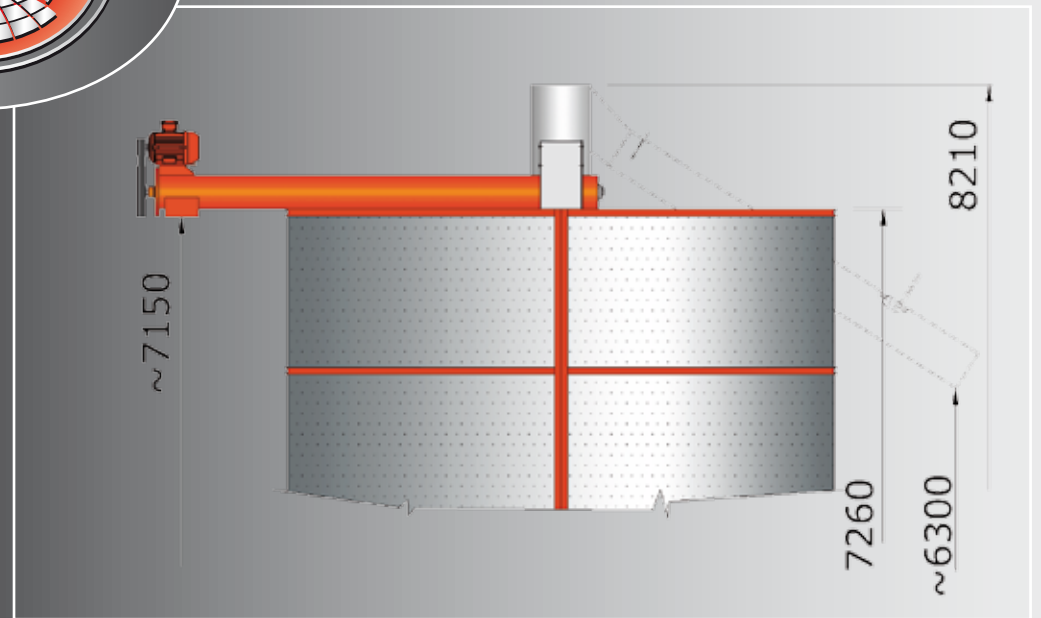


**Alternative discharging options**

**B** Option for lowest height with dust extractor  
Single fix discharging chute - double as option



**C** Option for lowest height  
Single fix discharging chute - double as option



**D** Option for horizontal discharging chute  
Single fix discharging chute, fix and motorized

**XL 400**