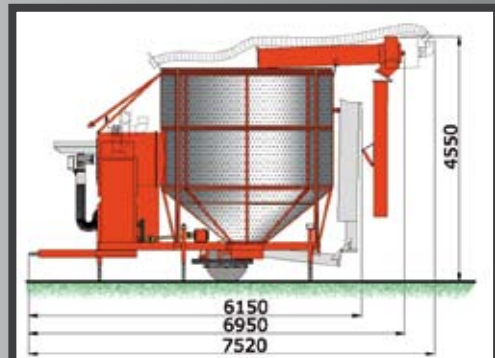
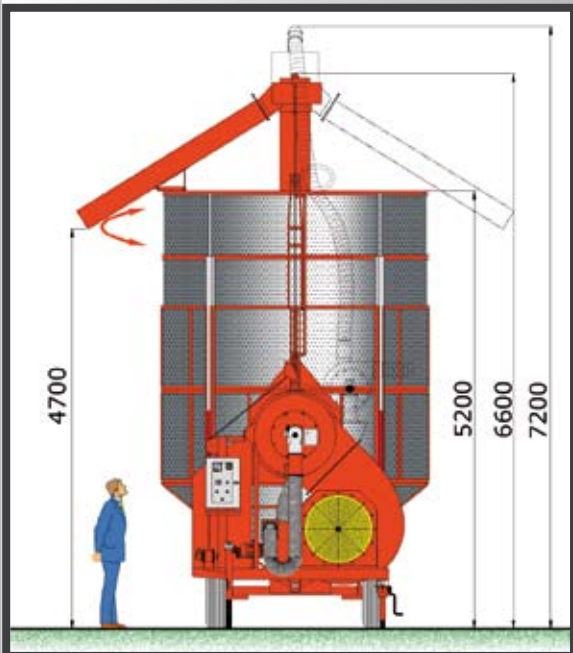


MRM 180



TECHNICAL DATA

Batch capacity

Tons wet maize 18 (26 m³)

AVERAGE DAILY OUTPUT 24h in tons

Maize from 28% to 14% 85
 Wheat/Barley from 20% to 15% 130
 Oil seed rape from 14% to 9% 120

POWER REQUIRED

Model Pto drive - Tractor min. size of HP 80
 or single electric drive motor 45 kW (60 HP)

Model electric drive - Mains supply line of kW 35

Size main electric motors	(kW)	(HP)		(kW)	(HP)
- fan	18.5	25			
- central auger	18.5	25			
- filling auger	11.5	15			
- dust extractor	2.2	3			
- burner	1.5	2	Burner tripple stage as option	2.2	3

FAN

Design centrifugal
 Revs/Min. 1.450
 Air flow m³/h max * 45.000
 * The air flow volume refers to the fan as separate unit.

BURNER

Diesel, Automatic twin stage (Gas as option)
 Caloric power Kcal/h max. 950.000

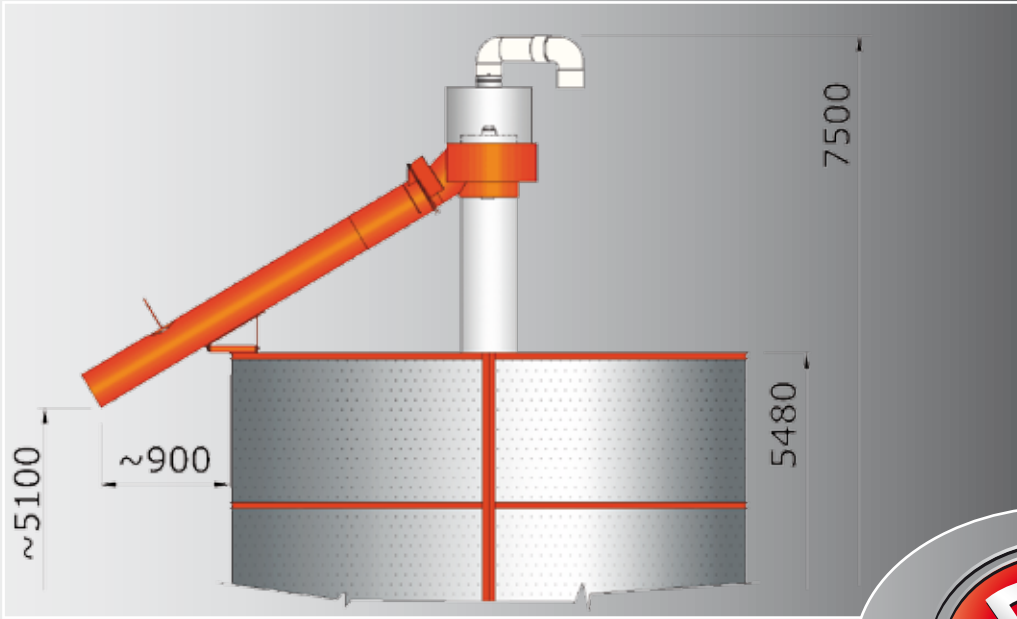
Centre Auger Ø 350 mm, capacity tons/h 65
 Filling Auger Ø 250 mm, capacity tons/h 90

FUEL CONSUMPTION

Liters per ton of maize from 28% to 14% approx 15
 Kcal per liter of water evaporated approx 900

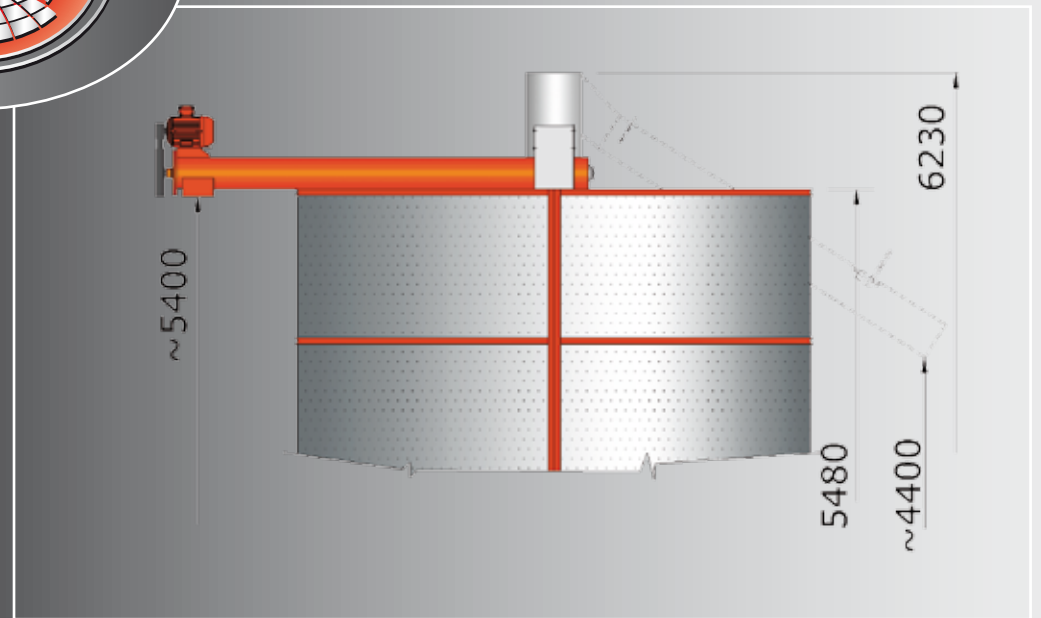
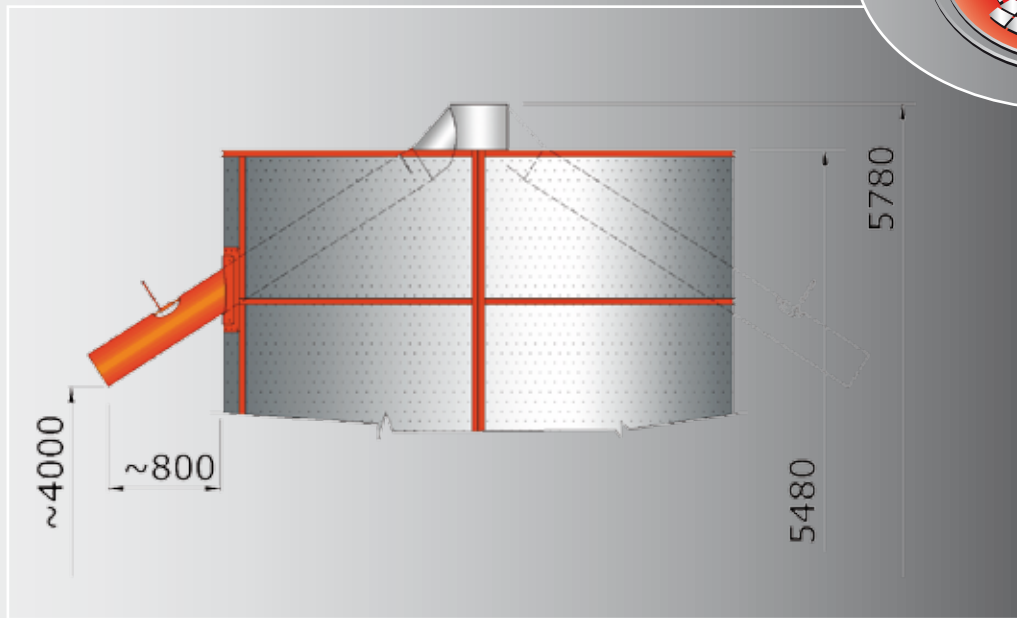
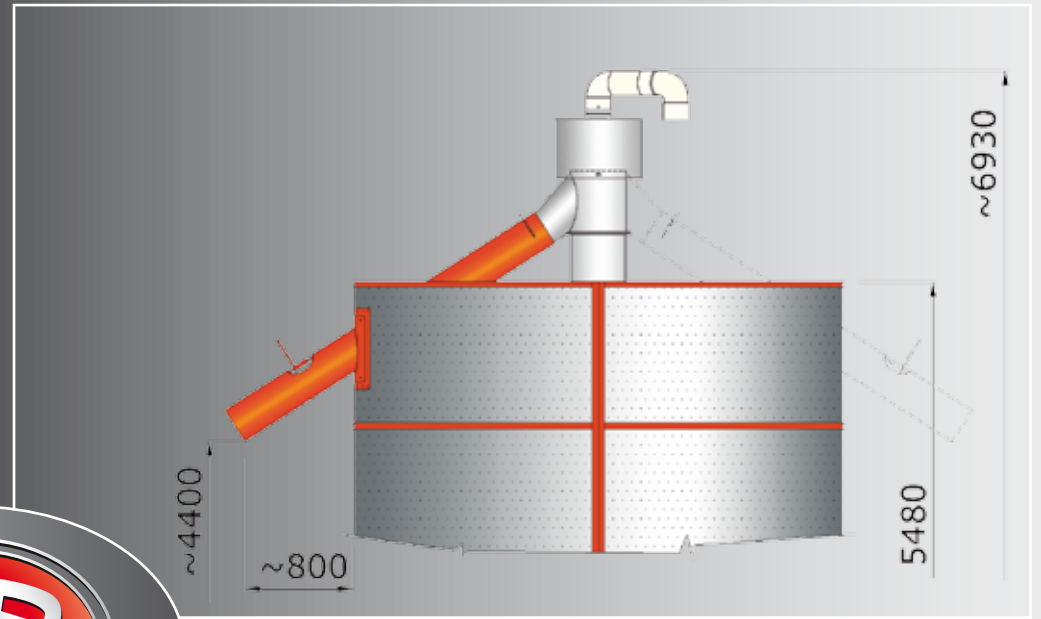
N.B: All performance figures are largely depending of the ambient temperature, relative air humidity, maturity and cleanliness of crops to be dried

A Option with dust extractor
Single roll discharging chute working in two positions



Alternative discharging options
O/A heights refer to fix screen machine

B Option for lowest height with dust extractor
Single fix discharging chute - double as option



C Option for lowest height
Single fix discharging chute - double as option

MRM 180

D Option for horizontal discharging chute
Single fix discharging chute, fix and motorized