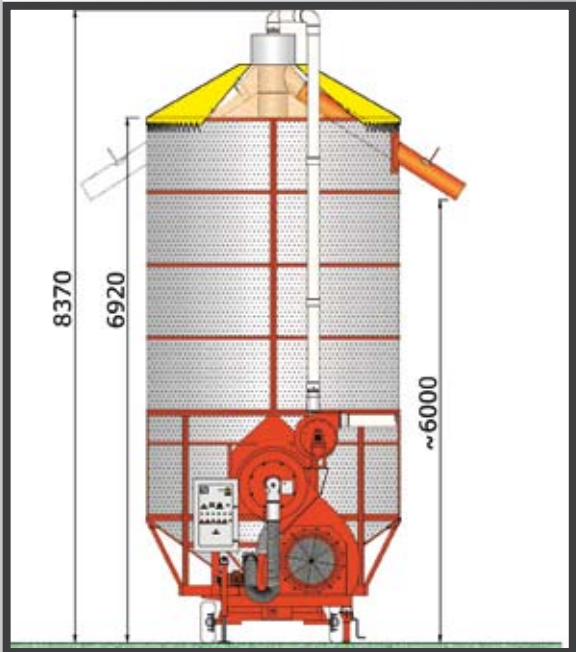


# LARGE 300



## TECHNICAL DATA

### Batch capacity

Tons wet maize 30 (40 m<sup>3</sup>)

### AVERAGE DAILY OUTPUT 24h in tons

Maize from 28% to 14% 135  
 Wheat/Barley from 20% to 15% 195  
 Oil seed rape from 14% to 9% 180

### POWER REQUIRED

Model Pto drive - Tractor min. size of HP 90  
 or single electric drive motor 45 kW (60 HP)

Model electric drive - Mains supply line of kW 45

Size main electric motor	(kW)	(HP)		
- fan	22.5	30		
- central auger	22.5	30		
- filling auger	11.5	15		
- dust extractor	2.2	3		
- burner	1.5	2		
			<b>Burner tripple stage as option</b>	
				<b>(kW) (HP)</b>
				2.2 3

### FAN

Design centrifugal  
 Revs/Min. 1.450  
 Air flow m<sup>3</sup>/h max\* 55.000

\* The air flow volume refers to the fan as separate unit.

### BURNER

Diesel, Automatic twin stage (Gas as option)  
 Caloric power Kcal/h max. 950.000

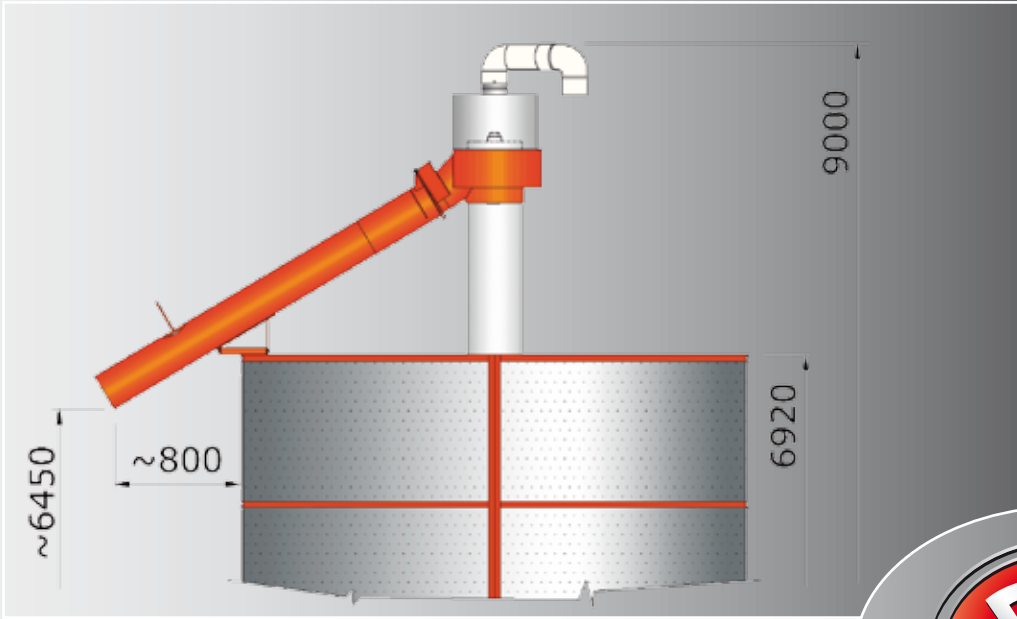
Centre Auger Ø 350 mm, capacity tons/h 65  
 Filling Auger Ø 250 mm, capacity tons/h 90

### FUEL CONSUMPTION

Liters per ton of maize from 28% to 14% approx 15  
 Kcal per liter of water evaporated approx 900

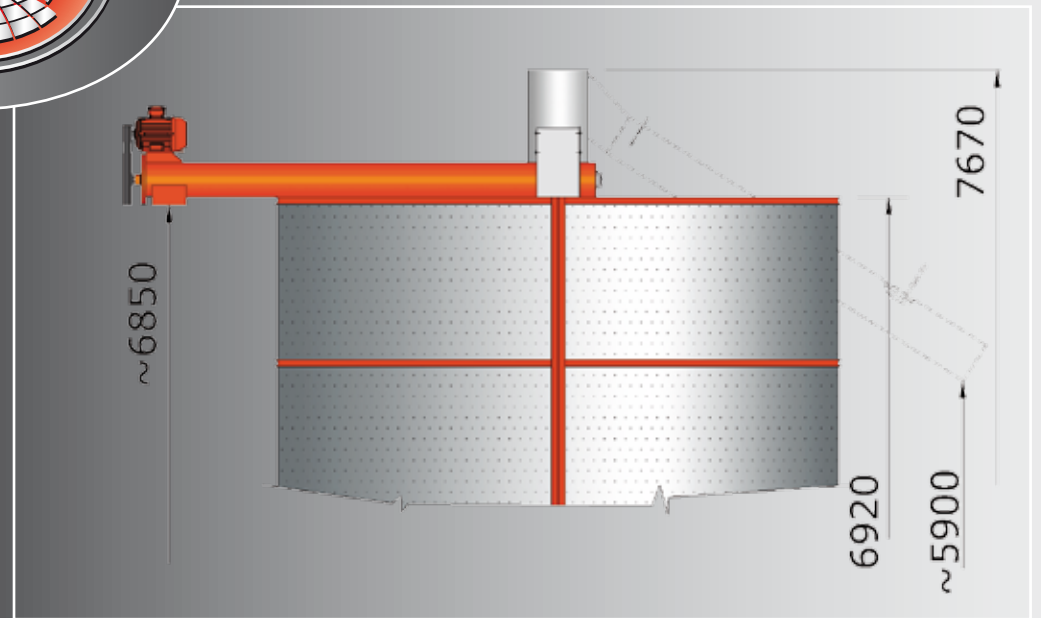
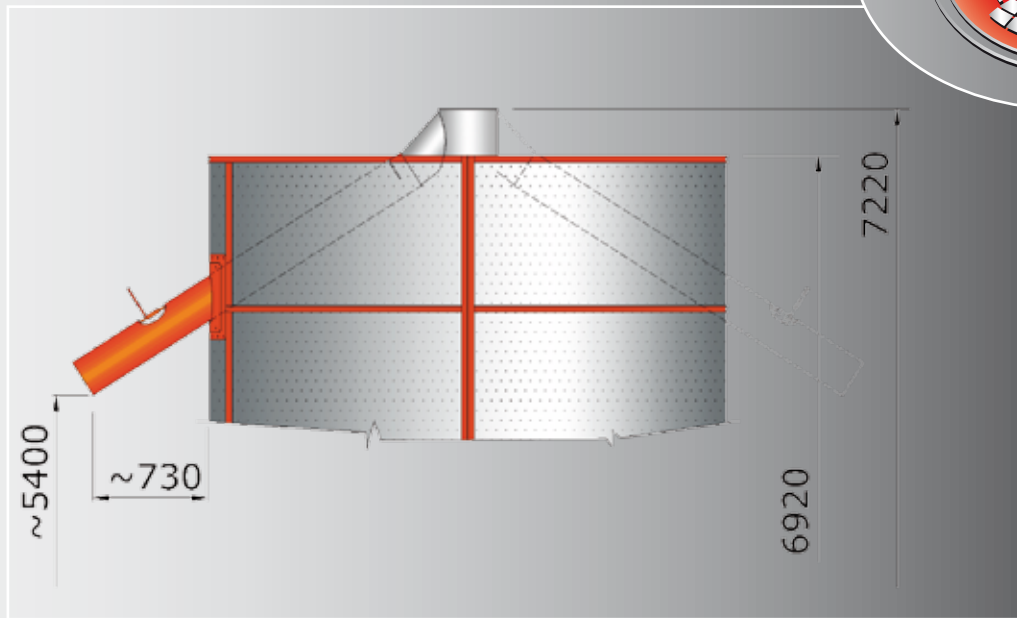
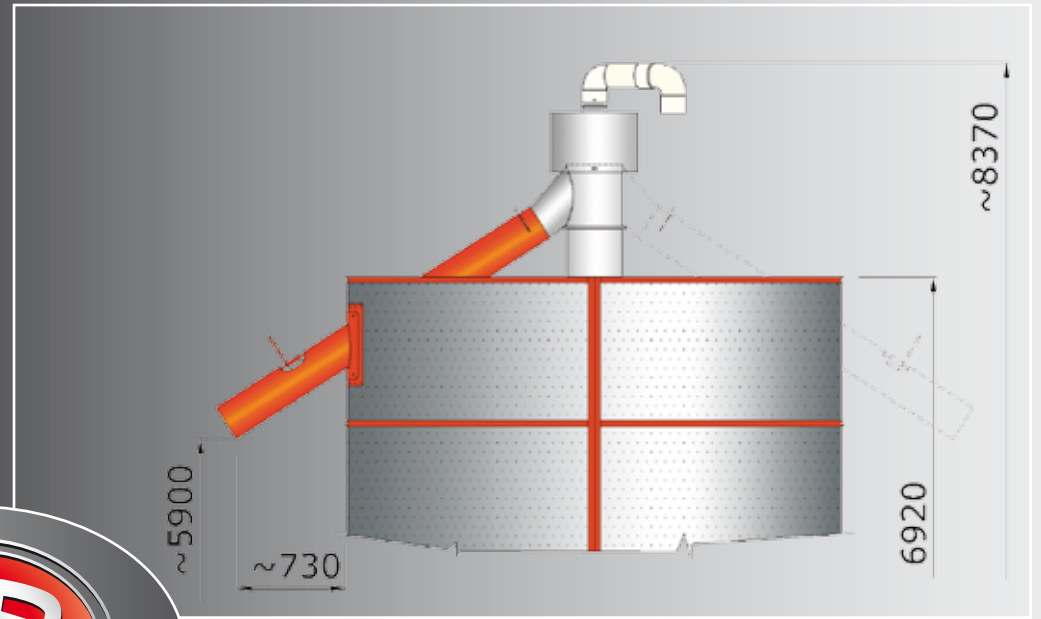
N.B: All performance figures are largely depending of the ambient temperature, relative air humidity, maturity and cleanliness of crops to be dried

**A** Option with dust extractor  
Single roll discharging chute working in two positions



**Alternative discharging options**

**B** Option for lowest height with dust extractor  
Single fix discharging chute - double as option



**C** Option for lowest height  
Single fix discharging chute - double as option

**LARGE 300**

**D** Option for horizontal discharging chute  
Single fix discharging chute, fix and motorized