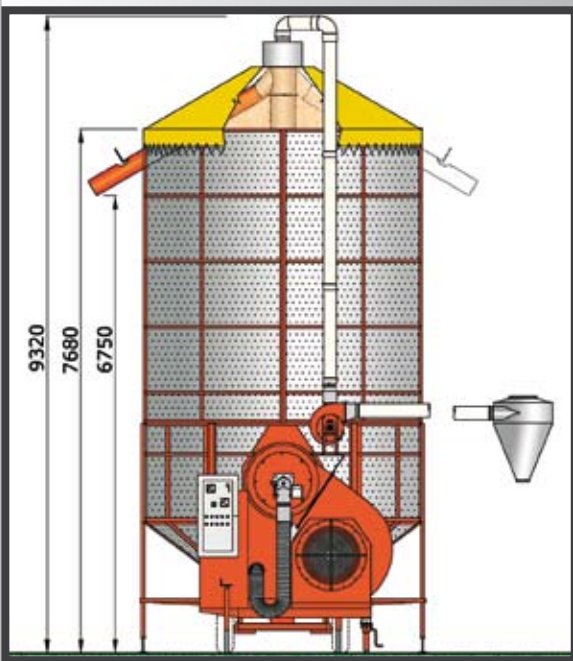


XL 420



TECHNICAL DATA

Batch capacity

Tons wet maize 42 (60 m³)

AVERAGE DAILY OUTPUT 24h in tons

Maize from 28% to 14% 170
 Wheat/Barley from 20% to 15% 240
 Oil seed rape from 14% to 9% 230

POWER REQUIRED

Model Pto drive - Tractor min. size of HP 120
 or single electric drive motor 75 kW (100 HP)

Model electric drive - Mains supply line of kW 70

Size main electric motors	(kW)	(HP)
- fan	37.5	50
- central auger Ø 350	30	40
- central auger Ø 450*	37.5	50
- filling auger	11	15
- dust extractor	2.2	3
- burner	2.2	3

* as option

FAN

Design centrifugal
 Revs/Min. 1.450
 Air flow m³/h max* 75.000

* The air flow volume refers to the fan as separate unit.

BURNER

Diesel, Automatic twin stage (Gas as option)
 Caloric power Kcal/h max. 1.300.000

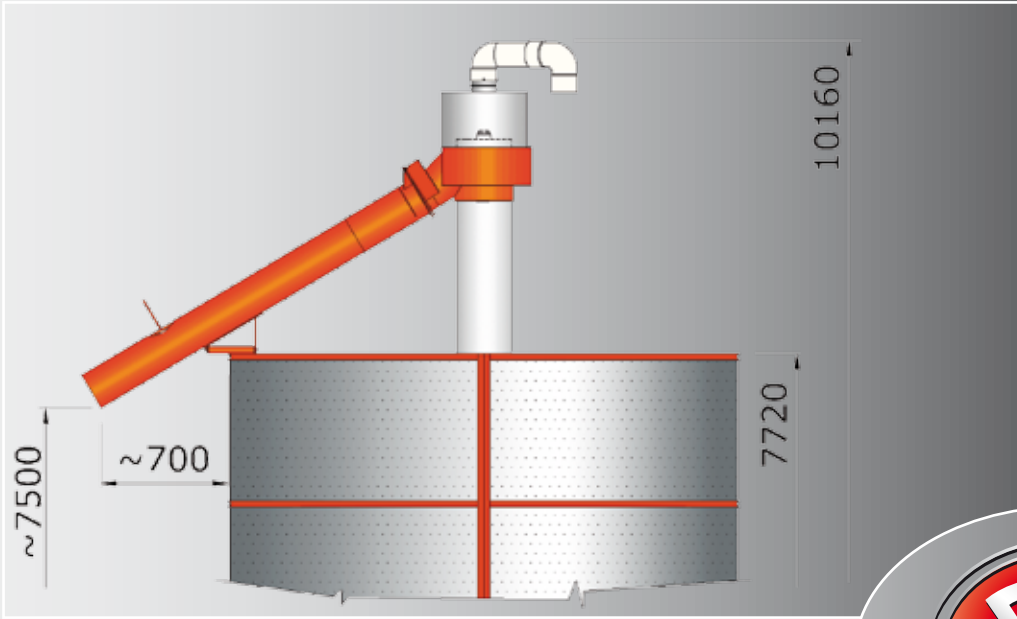
Centre Auger Ø 350 mm, capacity tons/h 65
 Centre Auger Ø 450 mm, capacity tons/h 120
 Filling Auger Ø 250 mm, capacity tons/h 90

FUEL CONSUMPTION

Liters per ton of maize from 28% to 14% approx 15
 Kcal per liter of water evaporated approx 900

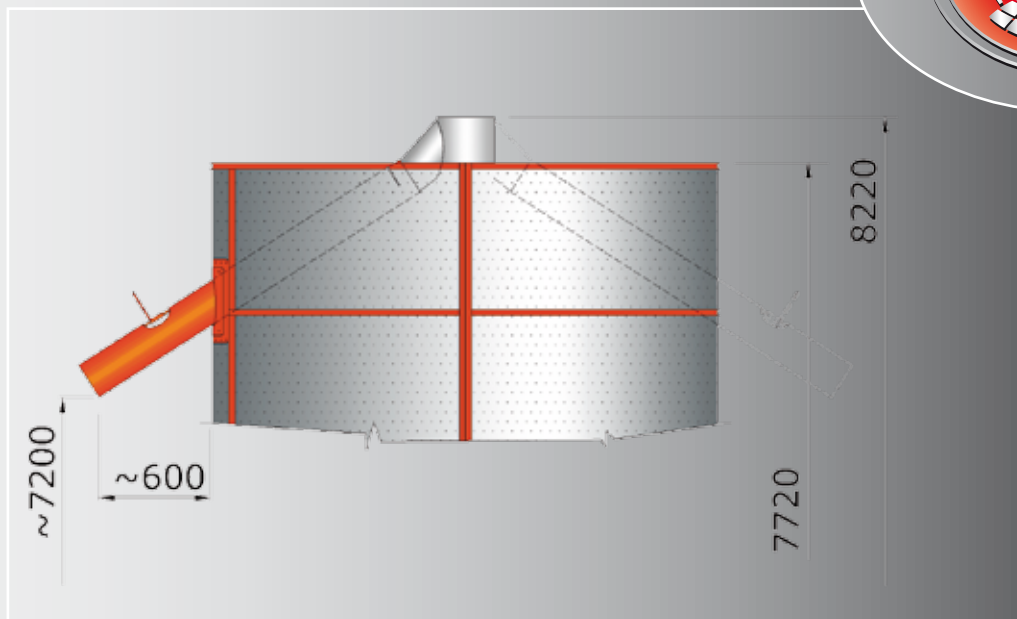
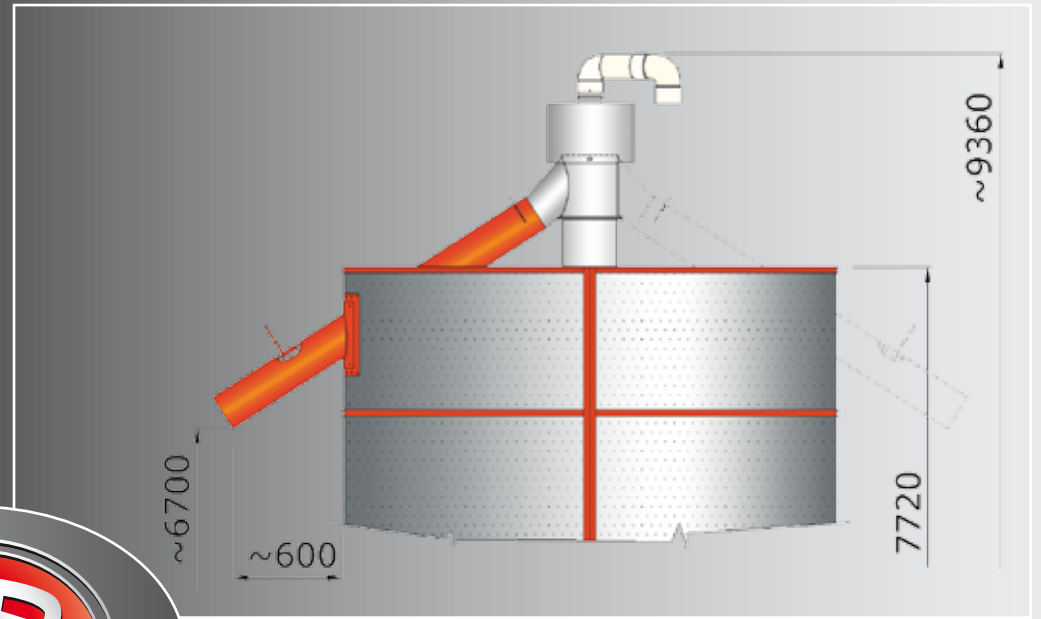
N.B: All performance figures are largely depending of the ambient temperature, relative air humidity, maturity and cleanliness of crops to be dried

A Option with dust extractor
Single roll discharging chute working in two positions

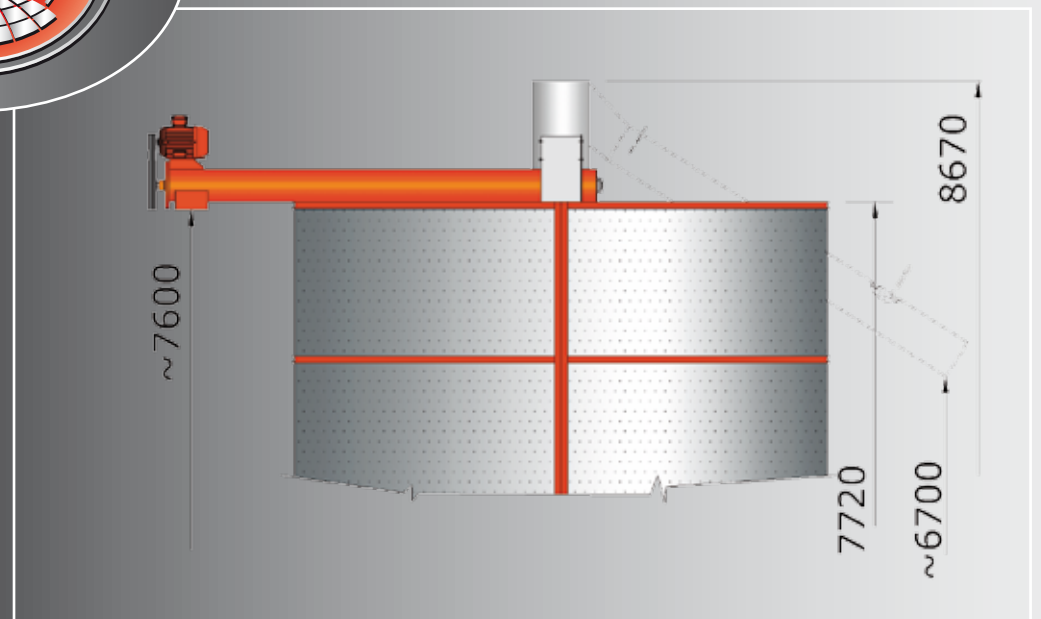


Alternative discharging options

B Option for lowest height with dust extractor
Single fix discharging chute - double as option



C Option for lowest height
Single fix discharging chute - double as option



D Option for horizontal discharging chute
Single fix discharging chute, fix and motorized

XL 420